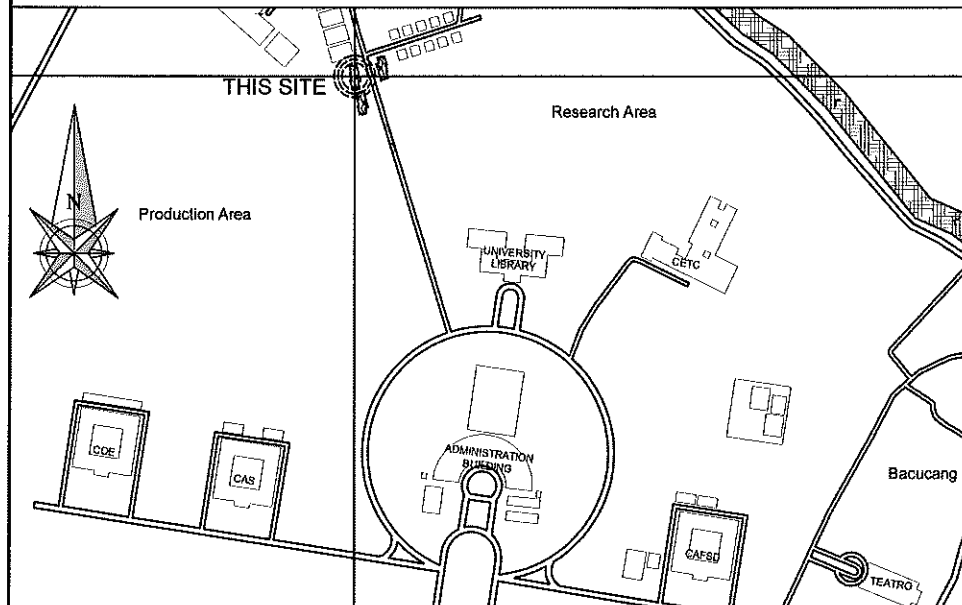




PERSPECTIVE VIEW

GENERAL NOTES: (For FDAS and BMS)

1. All Electronics works and installation shall be done in strict compliance with the Requirements of the Fire Code of the Philippines, Philippine Electronics Code, R.A. 9292 and all other existing Laws, Regulations, Codes and Local Ordinances.
2. All Electronic works shall be done in a neat and workmenlike manner.
3. All Electronics work shall be under the direct supervision of a duly Licensed Professional Electronics Engineer and/or Electronics Engineer.
4. House Cabling Installations shall be done in accordance with the following recommendations:
 - ANSI/TIA/EIA 569 - Commercial Building standard for Telecommunications Pathways and Spaces
 - ANSI/TIA/EIA-607 - Commercial Building Grounding and Bonding Requirements for Telecommunications
5. All materials to be used shall be new and approved type for location.
6. Contractor must be responsible for reviewing the full set of bid documents and be of the total scope of work prior to submission of bid. All works shown on the drawings not specifically called out as existing shall be considered work to be performed under the contract.
7. Prior to submission of Proposal, Bidders, shall visit and carefully examine the site to become familiar with the existing conditions and the difficulties that may arise during the execution of this work. Submission of proposal shall be construed as evidence that such examination has been made. Later claims will not be recognized for extra labor, equipment or materials required due to difficulties encountered. No allowance shall be subsequently given to the contractor by reason of any error due to the contractor's negligence to comply with this requirement. Any discrepancies between the drawings and conditions should be reported to the Engineering/Planning office or any personnel who is in authority to the project.
8. Before commencing work, the Contractor shall file all required permits, test reports/results, certifications for TCO and CO and pay all required fees.
9. Upon completion of all Electronics work, the Contractor shall calibrate, test and adjust all circuits, devices and other components/items installed in the system. Any of these circuits, devices and other components/items found to be defective and ineffective shall be immediately replaced with a new one and will be recalibrated, tested and readjusted. All such remedial work provided shall be at NO cost to the owner.
10. All notations of "SCALE" are intended as approximations. The contractor shall be responsible to as certain as the exact dimensions in the actual field.
11. Unless otherwise noted, electronics equipment and all other passive and active components of the system as reflected on the drawings shall be considered visible at their approximate locations. The contractor shall install these items as per instructions and approval of the authorized representative of the Owner.
12. All conduit runs reflected on the drawings are shown to outline the general routing of the major feeders and branch wiring. It is not within the scope of these drawings to show all necessary bends, pivots, offsets pull boxes and obstructions. It will be the responsibility of the contractor to install the system in compliance to the requirements of the Fire Code of the Philippines.
13. Additional component such as pull boxes, junction boxes, cable race and trays that are not shown on the drawings shall be provided as per requirement of existing codes or as per safety purposes. These components shall be installed so as NOT to destroy the internal aesthetic view of the building. Should any of these components prevent the installation of raceway as delineated on the contract, deviation must be approved by the designer prior to installation of any variation due to field conditions and shall not represent any additional cost to the owner.
14. All conduits and boxes that are installed as part of this project are exposed except in areas with accessible hung ceiling. Exposed conduits and boxes shall be painted with primer and finish coating with colors specified by the Architect to match the surrounding surfaces.
15. Electrical outlet or dedicated power source or electronic equipment and active components shall be provided including inside the terminal and distribution cabinets.
16. All openings/holes between floors, through rated fire and smoke walls created by the contractor for cable or conduit pass through shall be sealed with fire stopping materials and to be installed acceptable by local Fire and Building Official. Any other openings/holes created by the contractor that is left unused should also be sealed at the end of installation.
17. All exposed noncurrent-carrying metal parts of electronic and electrical equipment including raceways shall be grounded. A separate ground conductor shall be incorporated in all conduits. All metallic enclosures ensure continuity of the grounding circuit from the supply panel board grounding bus to the load ground terminal. The resistance from the service equipment ground bus to any load ground terminal should not exceed 0.5 ohms.
18. No low voltage wiring shall be permitted in the same raceway as power wiring.
19. All equipment shall have copper current carrying parts including ground bus and terminals.
20. Remove all debris resulting from removal and/or installation of electronics and electrical work from the premises.
21. Unless otherwise noted, "INSTALL" means to be PROVIDED, INSTALLED, CALIBRATED and COMMISSIONED BY THE CONTRACTOR.
22. The contractor shall be responsible for all restoration, sealing, waterproofing leaks and penetrations, core drilling, cutting, patching and painting for the complete contracted work indicated.



LEGEND

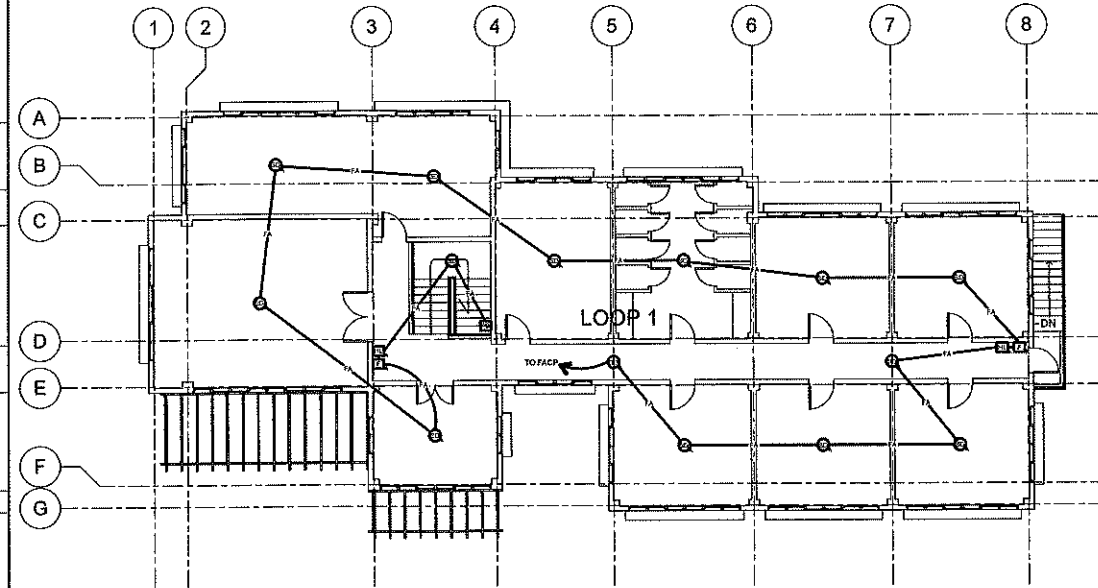
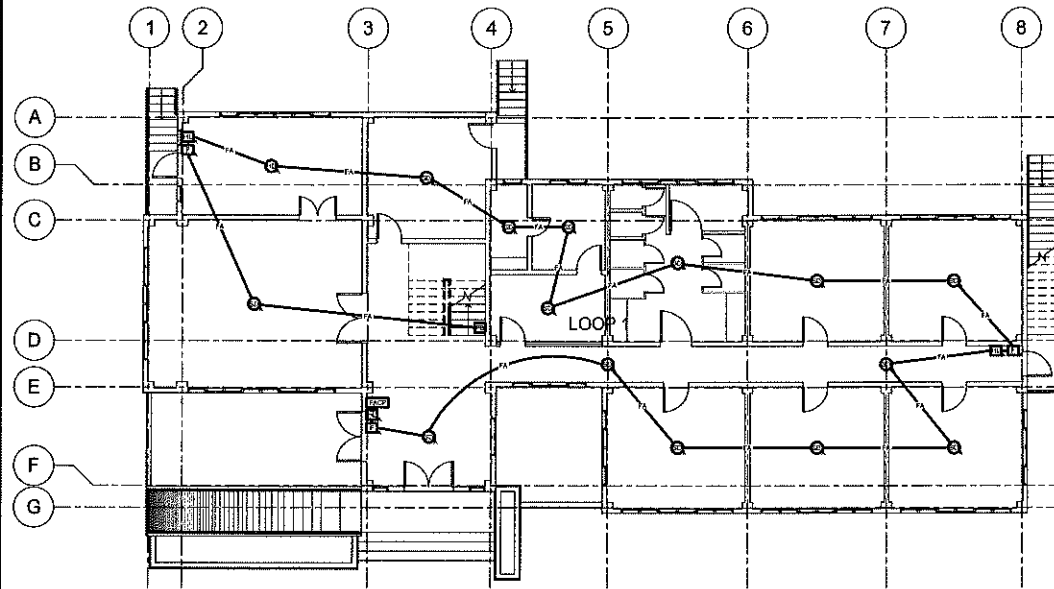
- ADDRESSABLE SMOKE DETECTOR
- ADDRESSABLE HEAT DETECTOR
- ADDRESSABLE MANUAL PULL SWITCH
- ADDRESSABLE HORN/STROBE
- FIRE ALARM CONTROL PANEL
- PULL BOX
- FIRE ALARM CABLING

LOCATION MAP

LEGEND

GENERAL NOTES

| | | | | | | | | |
|--|---|---|---|--|---|------------------|-----------------------------|----------------|
| | FOR THE OFFICE: PHYSICAL PLANNING AND DEVELOPMENT OFFICE 2/F 202 ADMINISTRATION BLDG. MARIANO MARCOS BATATE UNIVERSITY City of Batangas, 2009 Iligang Norte Telephone: +63 (77) 792-3181 | DRAWN BY: | DESIGNED BY: | PROJECT TITLE: FIRE DETECTION AND ALARM SYSTEM FOR STUDENT DORMITORY I | CONFIRME: | APPROVED BY: | SHEET CONTENTS: AS SHOWN | SHEET NO.: |
| | PROJECT NO.: 000001 VALIDITY: 09-11-2022 CHECK VIEW NO: 00-0003 VALIDITY: 06-11-2022 | PPR NO.: 040009 DATE ISSUED: 04-04-2022 PLAGES ISSUED: OFFICE OF BATATE TIN: 122-028-123 | LOCATION: MMBU - STUDENT DORMITORY I, CITY OF BATAANG, LUGO'S HORTE | RECOMMENDING APPROVAL: | SHEET NO.: EL-1 14 ELECTRONICS | | | |



○ GROUND FLOOR FIRE DETECTION AND ALARM SYSTEM
S C A L E 1 : 1 0 0 M T S

○ SECOND FLOOR FIRE DETECTION AND ALARM SYSTEM
S C A L E 1 : 1 0 0 M T S



FROM THE OFFICE
PHYSICAL PLANNING AND DEVELOPMENT OFFICE
2/F 282 ADMINISTRATION BLDG. MARIANO MARCOS STATE UNIVERSITY
City of Batang 2908 Ilocos Norte
Tel. No. +63 (77) 192-3191

DRAWN BY:
BJAY BAYANG
BJAY BAYANG
ENGINEER

DESIGNED BY:
Wilson R. Dululao
WILSON R. DULULAO
PROFESSIONAL ELECTRICAL ENGINEER
VALIDITY: 08-11-2022 DATE ISSUED: 01-03-2022
NSCP REG. NO. 08-07303 PLACED ISSUED: CITY OF BATANG
VALIDITY: 08-11-2022 TEL. 02-525-123

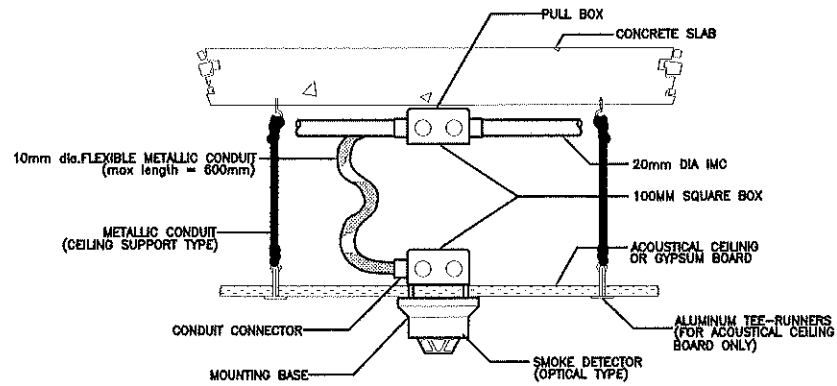
PROJECT TITLE:
FIRE DETECTION AND ALARM SYSTEM FOR STUDENT DORMITORY I
LOCATION: MBSU - STUDENT DORMITORY I, CITY OF BATANG, ILOCOS NORTE

CONFORME:
Lenie G. Bayangos
LENIE G. BAYANGOS
ENGINEER & LICENSED ELECTRICAL ENGINEER
RECOMMENDING APPROVAL:
Romeo C. Dululao
ROMEO C. DULULAO
ENGINEER

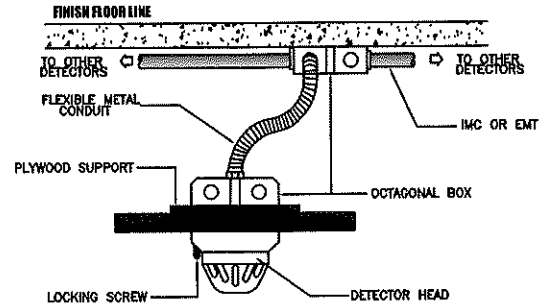
APPROVED BY:
Shirley C. Agrupis
SHIRLEY C. AGRUPIS
ENGINEER

SHEET CONTENTS:
AS SHOWN

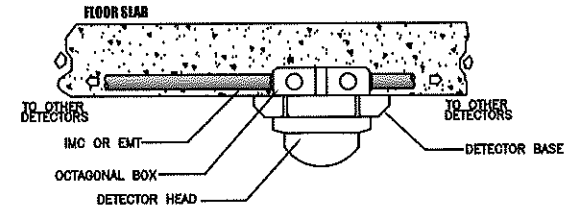
SHEET NO.
EL-2
2/4
E L E C T R I C I A L



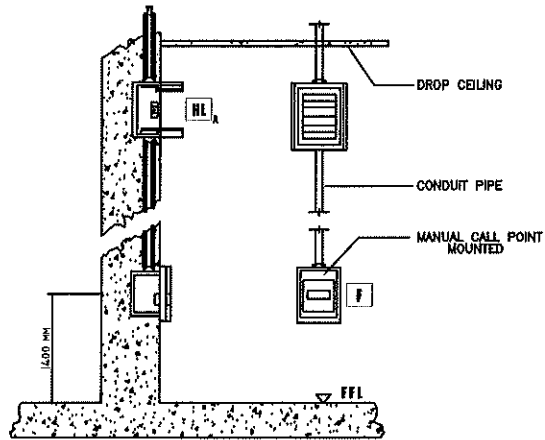
SMOKE DETECTOR MOUNTING DETAILS



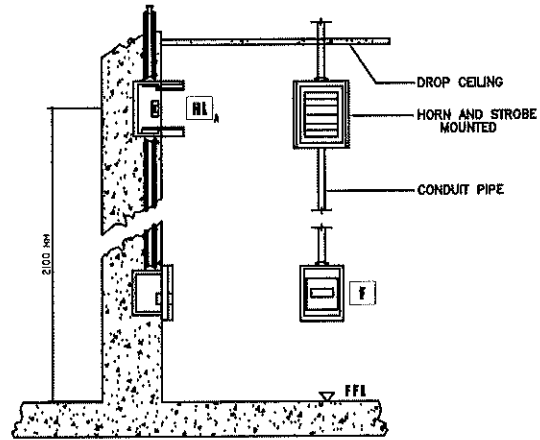
DETECTOR DETAIL ON DROP CEILING WITH CONDUIT EXPOSED



SURFACE MOUNTED DETECTOR DETAIL



MOUNTED DETAIL OF MANUAL DETECTION



MOUNTED DETAIL OF HORN STROBE

LEGEND

- ADDRESSABLE SMOKE DETECTOR
- ADDRESSABLE HEAT DETECTOR
- ADDRESSABLE MANUAL PULL SWITCH
- ADDRESSABLE HORN/STROBE
- FIRE ALARM CONTROL PANEL
- PULL BOX
- FIRE ALARM CABLING



FROM THE OFFICE
PHYSICAL PLANNING AND DEVELOPMENT OFFICE
 2/F 202 ADMINISTRATION BLDG. MARIANO MARCOS STATE UNIVERSITY
 City of Batangas 2008 1000a North
 Telephone: +63 (77) 795-3191

DRAWN BY:

ROMEO R. DULULAG
 BATAANG

DESIGNED BY:

ROMEO R. DULULAG
 BATAANG

PROJECT TITLE:
**FIRE DETECTION AND ALARM SYSTEM
 FOR STUDENT DORMITORY I**

LOCATION: MMU - STUDENT DORMITORY I, CITY OF BATAANG, ILOGOS NORTE

CONFORME:

ROMEO R. DULULAG
 RECOMMENDING APPROVAL:

APPROVED BY:

SHIRLEY G. GORUPIS
 ELECTRICAL ENGINEER

SHEET CONTENTS:
 AS SHOWN

SHEET NO.

 EL-3
 3 4
 ELECTRONICS

CEILING LINE

SECOND FLOOR LINE

CEILING LINE

GROUND FLOOR LINE

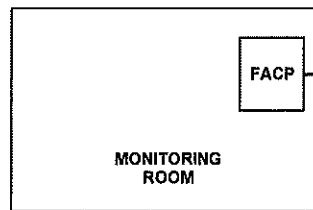
NOTE:

- ALL CONDUIT PIPES USED ARE IMC OR EMT WITH 0.75" Ø
- ALL FIRE ALARM CABLES TO BE USED MUST BE FIRE RETARDANT TYPE WITH ATLEAST AWG #18 SIZE




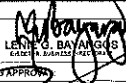



IMC OR EMT PIPE 1"Ø

IMC OR EMT PIPE 0.75"Ø

IMC OR EMT PIPE 0.75"Ø



FDAS RISER SYSTEM DIAGRAM

| | | | | | | | | |
|---|---|---|--|--|--|--|-----------------------------|---|
|  | FROM THE OFFICE: PHYSICAL PLANNING AND DEVELOPMENT OFFICE 2/F 202 ADMINISTRATION BLDG. MARIKINA MARCOS STATE UNIVERSITY City of Marikina 1908 Marikina Telephone: 163 (771) 702-3101 | DRAWN BY:  BJAYAN BAYANG | DESIGNED BY:  ROLANDO D. DULULAO PROFESSIONAL ELECTRICAL ENGINEER | PROJECT TITLE: FIRE DETECTION AND ALARM SYSTEM FOR STUDENT DORMITORY I | CONFORME:  LENIE C. BAYANG ELECTRICAL ENGINEER | APPROVED BY:  SHIRLEY C. MARUPIS ELECTRICAL ENGINEER | SHEET CONTENTS: AS SHOWN | SHEET NO.  EL-4 44 ELECTRONICS |
| | LOCATION: MMSU - 9 STUDENT DORMITORY I, CITY OF BAYANG, ILOCOS NORTE | | | | RECOMMENDING APPROVAL:  ROLANDO D. DULULAO ELECTRICAL ENGINEER | | | |